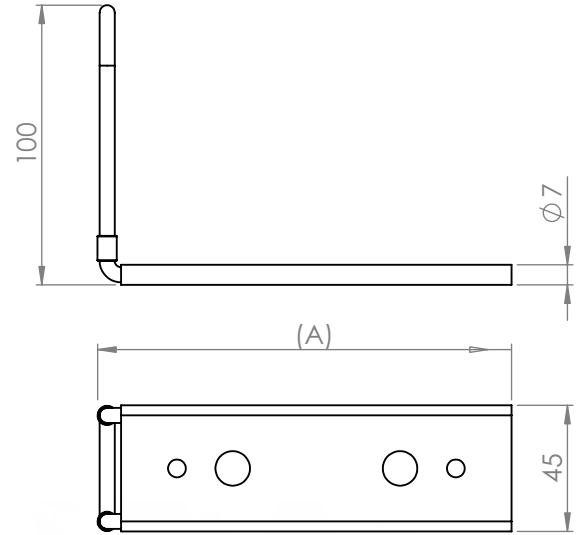


Vertical Control Gap Tie



DESCRIPTION

Vertical control gap tie for brick and block work. This tie will retain masonry integrity against lateral wind loads, sleeves will absorb differential movement.

FEATURES

- Clay brick / block work
- Tested to a control gap of 0 - 40mm
- Universal applications
- Intersecting walls
- Wall starter
- Stub wall starter
- Cross wall
- Australian design & tested AS/NZS 2699.2:2020

SIZES

Standard Sizes : 100mm 150mm 200mm 250mm

FIXING REQUIREMENTS

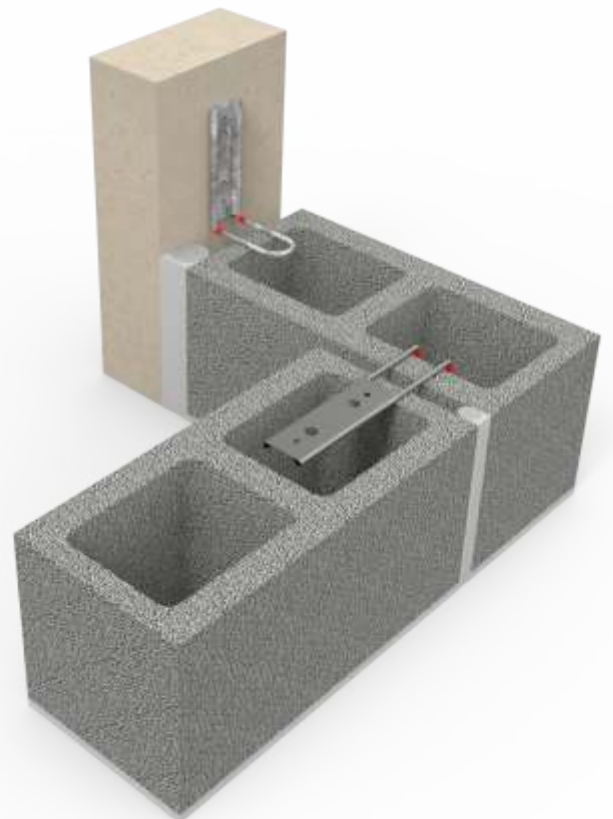
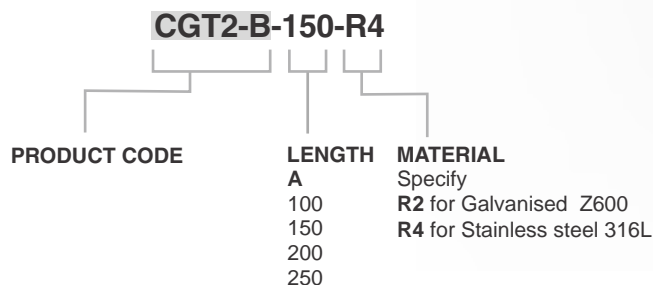
Fixed with approved fasteners, contact us with your project requirements.

CORROSION CHARACTERISTICS

Galvanized Z600 (R2)
 Stainless Steel 316L (R4)
 Conforms to corrosion resistance set by AS/NZS 2699.2:2020 / AS 3700.

ORDERING INFORMATION

When ordering please supply use with the part number and quantity you require



Datasheet